



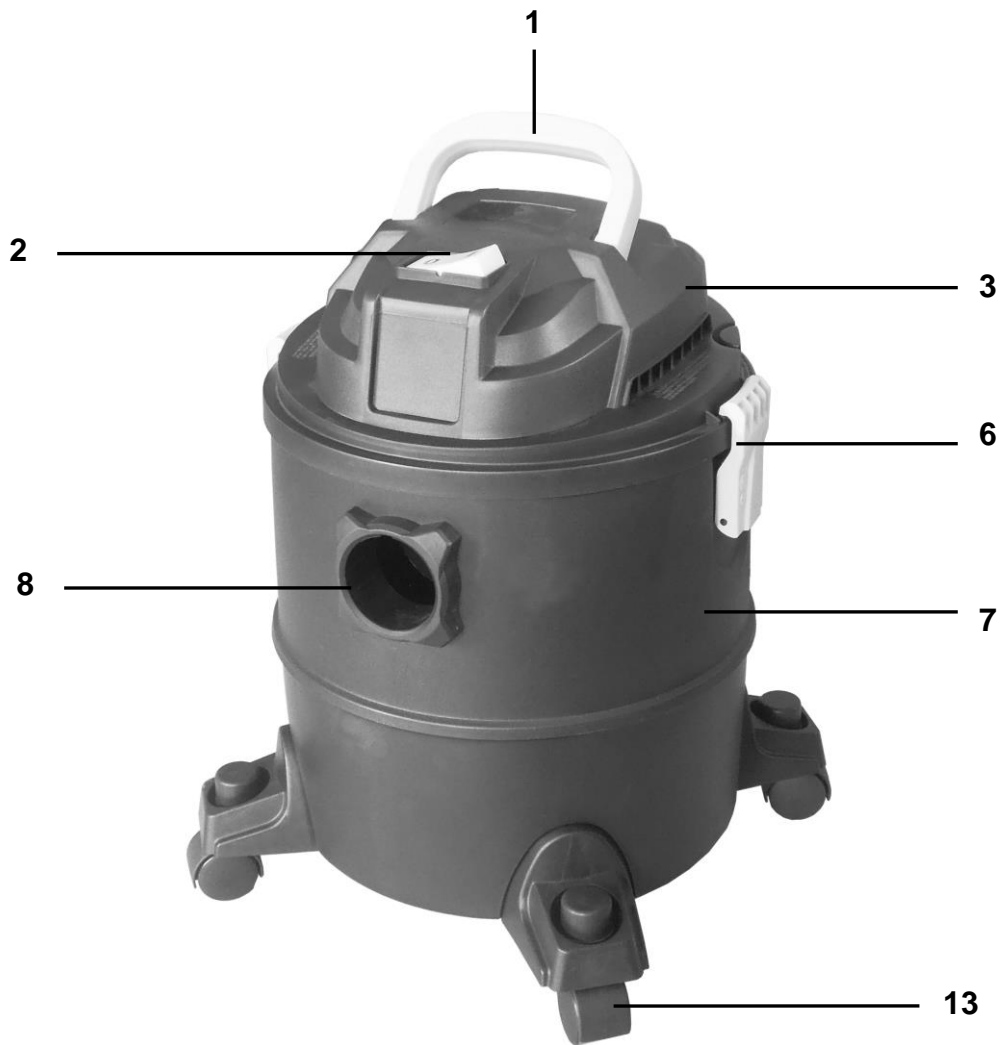
Operating Instructions
Wet and Dry Vacuum Cleaner
FHAEP121520L



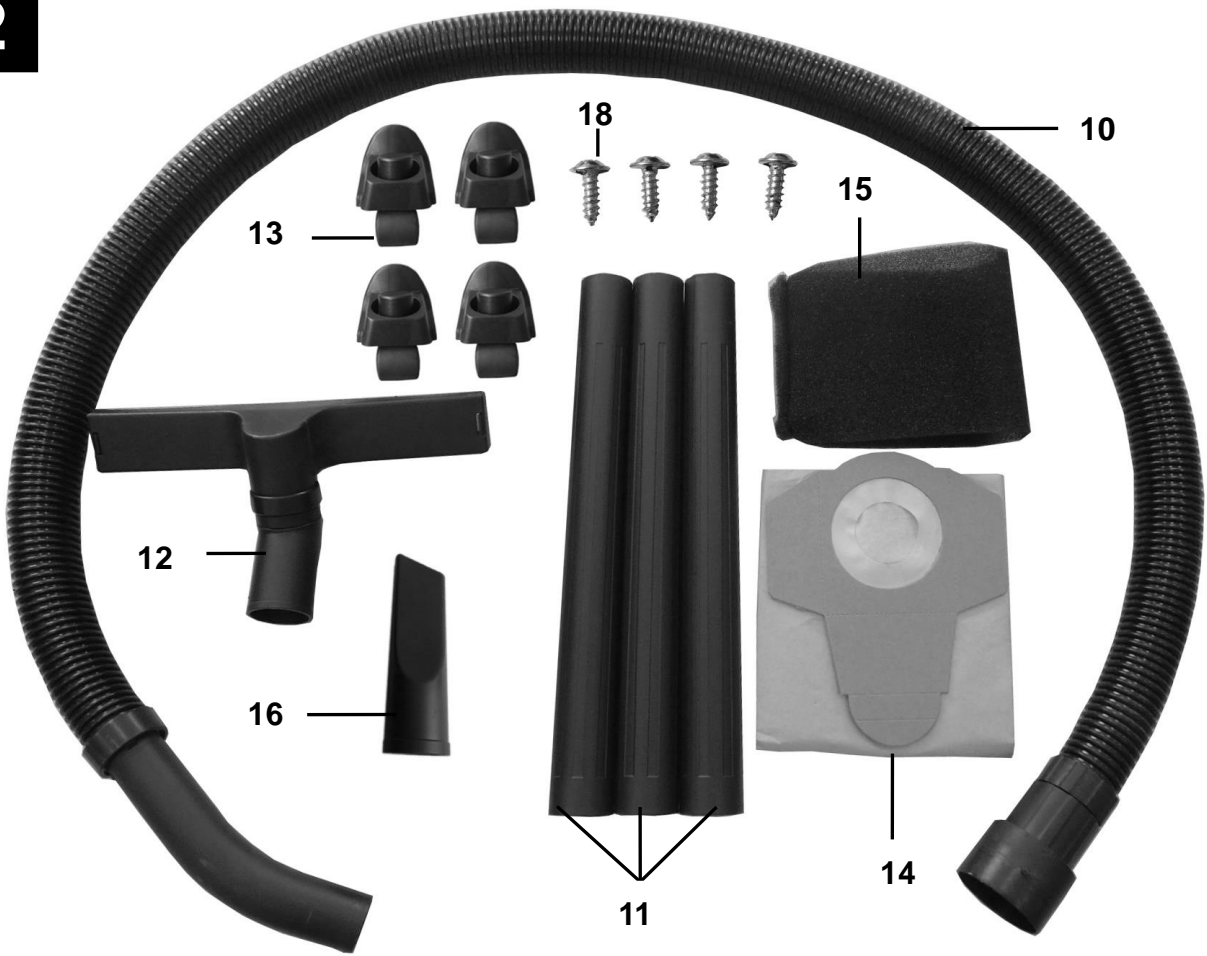
FEIDER HOME

32 Rue Aristide Bergès, 31270 CUGNAUX - FRANCE

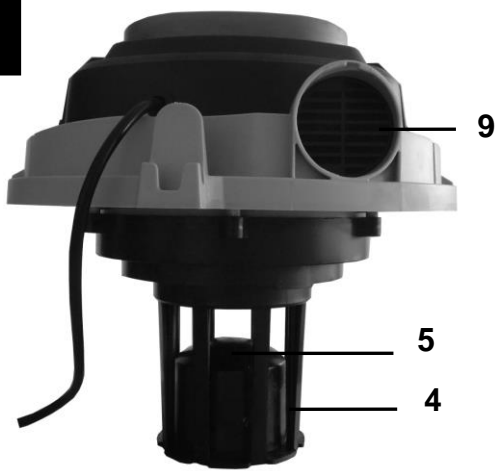
1



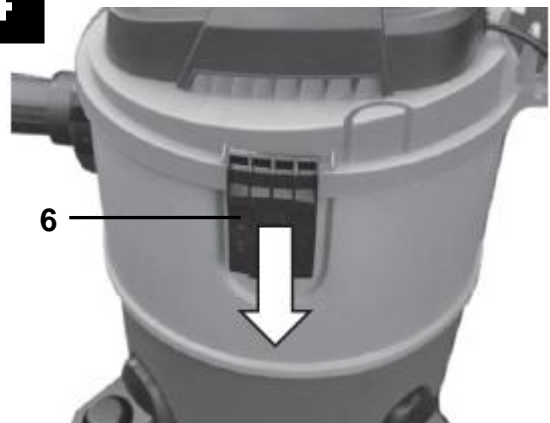
2

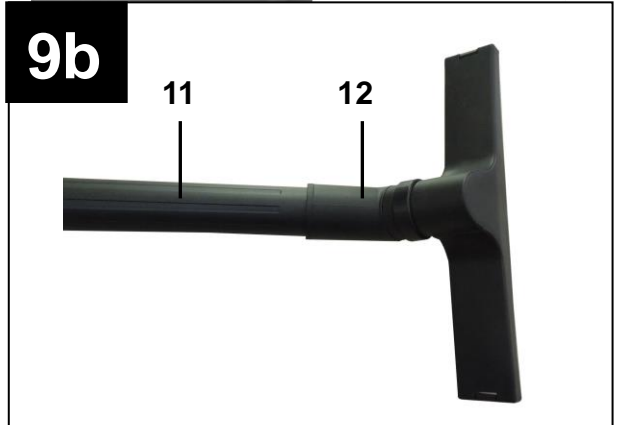
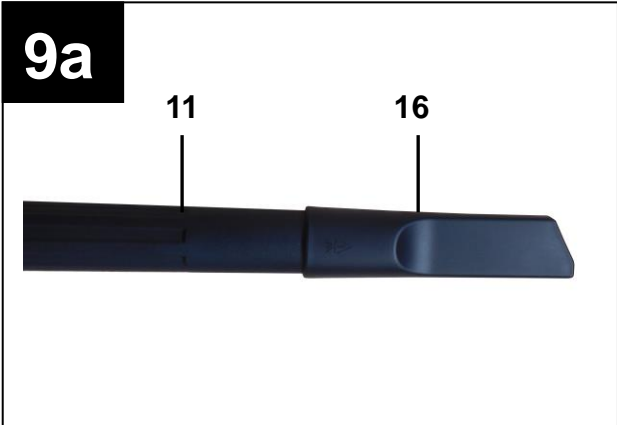
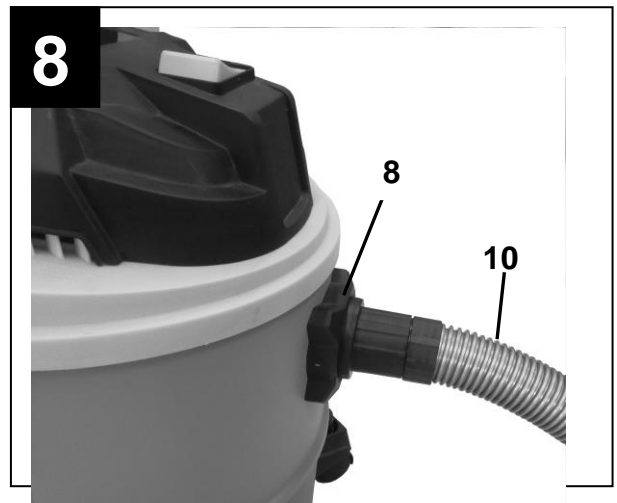
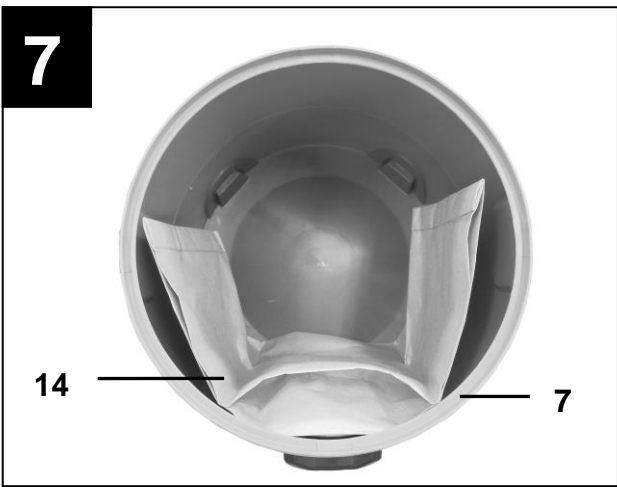
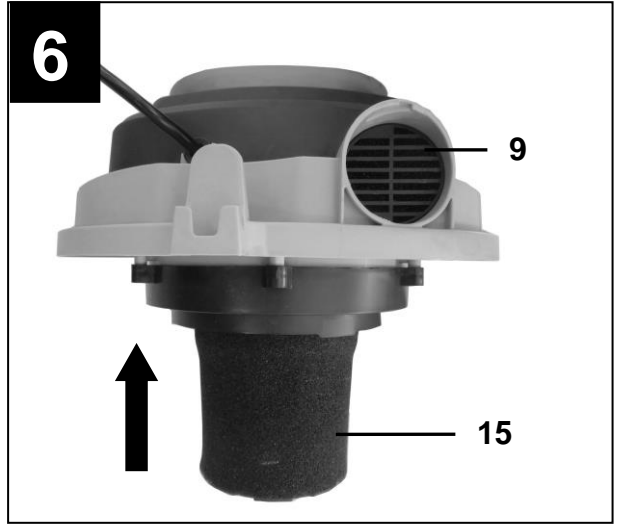
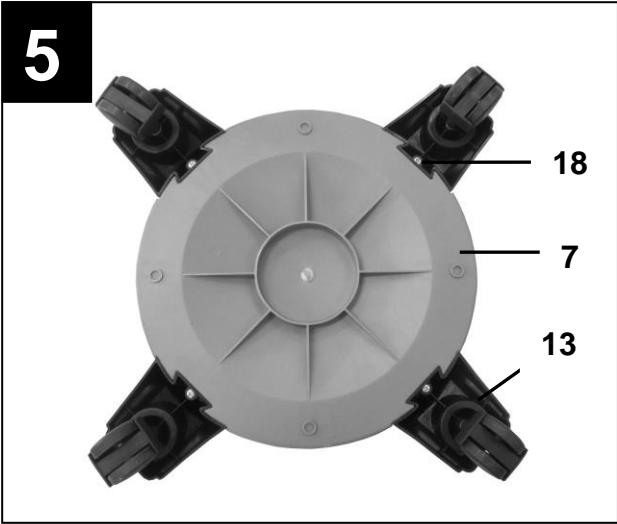


3



4







Important!

When using equipment, a few safety precautions must be observed to avoid injuries and damage. Please read the complete operating manual with due care. Keep this manual in a safe place, so that the information is available at all times. If you give the equipment to any other person, give them these operating instructions as well.

We accept no liability for damage or accidents which arise due to non-observance of these instructions and the safety information.

1. Safety information

- Important: Read the operating instructions before assembling and using the appliance for the first time.
- Check that the mains voltage is the same as the mains voltage specified on the rating plate.
- Only connect the appliance to a properly fitted 230V~ 50/60 Hz shock-proof socket.
- Pull out the power plug in the following circumstances: Whenever the appliance is not in use, before opening the appliance and before all cleaning and maintenance work.
- Never clean the appliance with solvents.
- Never pull the plug out of the socket by pulling the cable.
- Never leave the appliance unattended when operational.
- Keep away from children.
- Take care to ensure that the power cable does not get damaged by being run over, crushed, pulled or suchlike.
- Do not use the machine if the power cable is in a less than perfect condition.
- If the power cable has to be replaced, the replacement must comply with the design specifications of the manufacturer. Power cable: H 05 VV - F 2 x 1.0 mm²
- Never vacuum the following: Burning matches, smoldering ash and cigarette butts, combustible, caustic, inflammable or explosive substances, vapor or liquids.
- This appliance is not suitable for vacuuming dust which can be harmful to health.
- Store the appliance in a dry indoor location.
- Never use the appliance if it is damaged.
- Only allow the appliance to be serviced by an authorized after sales service outlet.
- Only use the appliance to carry out work for which has been designed.
- Take extra care when cleaning steps.
- Use only genuine accessories and spare parts.

This appliance can be used by children aged from 8 years and above and persons with reduced physical, sensory or mental capabilities or lack of experience and knowledge if they have been given supervision or instruction concerning use of the appliance in a safe way and understand the hazards involved. Children shall not play with the appliance. Cleaning and user maintenance shall not be made by children without supervision.

If the supply cord is damaged, it must be replaced by the manufacturer, its service agent or similarly qualified persons in order to avoid a hazard..

2. Layout and items supplied (Fig. 1-10)

1. Handle
2. ON/OFF switch
3. Head
4. Filter cage
5. Safety float valve
6. Locking hook
7. Tank
8. Suction hose connection
9. Blow connector
10. Flexible suction hose
11. 3-part suction tube
12. Combination nozzle
13. Wheels
14. Dirt bag
15. Foam filter
16. Crevice nozzle
17. Hook for cable store
18. Screw (4pcs)

3. Intended use

The wet and dry vacuum cleaner is designed for wet and dry vacuuming using the appropriate filter. The appliance is not suitable for the vacuuming of combustible, explosive or harmful substances.

The machine is to be used only for its prescribed purpose. Any other use is deemed to be a case of misuse. The user / operator and not the manufacturer will be liable for any damage or injuries of any kind caused as a result of this.

Please note that our equipment has not been designed for use in commercial, trade or industrial applications. Our warranty will be voided if the machine is used in commercial, trade or industrial businesses or for equivalent purposes.

4. Technical data

Mains voltage: 230V~ 50/60 Hz

Model: MWW305-20L-1250WA

Power input: 1250W

Tank volume: 20L

Net weight: 4.5kgs

5. Before starting



Important!

- Before you connect the appliance to the mains supply make sure that the data on the rating plate are identical to the mains data.
- The appliance may only be connected to a shockproof socket.

5.1 Appliance assembly

Fitting the appliance head (Fig. 4)

The appliance head (3) is fastened to the container (7) by the locking hook (6). To remove the appliance head (3), open the locking hook (6) and remove the appliance head (3). When fitting the appliance head (3), make sure that the locking hook (6) locks into place correctly.

Assembling the wheels (Fig. 5)

Fit the wheels (13) into the appropriate mountings on the underside of the tank (7). Push the wheels (13) firmly into the mounting until they engage with each other and fix by four screws (18) supplied (Fig. 5).

5.2 Fitting the filter



Important!

Never use the wet and dry vacuum cleaner without a filter.
Check that the filter is securely fitted at all times.

Fitting the foam filter (Fig. 6)

For wet vacuuming, slip the supplied foam filter (15) over the filter cage (Fig. 3/4).

Assembling the dirt bag (Fig. 7)

For dry vacuuming, slip the dirt bag (14) over the vacuuming hole. The dirt bag (14) is suitable for dry vacuuming only. The dirt bag makes it easier to dispose of the sucked-in dust.

5.3 Fitting the suction hose (Fig. 8, 9)

Connect the suction hose (10) to the corresponding connector on the wet and dry vacuum cleaner, depending on the application required.

Vacuuming

Connect the suction hose (10) to the suction hose connector (8).

Blowing

Connect the suction hose (10) to the blow connector (9).

The 3-part suction tube (11) can be attached to the suction hose (10) to extend it.

5.4 Suction nozzles

Combination nozzle (12)

The combination nozzle (12) with attachments is for vacuuming solids and liquids over medium to large areas. The crevice nozzle (16) is specially designed for cleaning crevices and edges.

6. Operation



Important!

Switch off the equipment if liquid or foam is emitted with the exhaust air when wet vacuum cleaning.

6.1 On/Off switch (Fig. 1)

Switch position 0: Off

Switch position I: On

6.2 Dry vacuuming

Use the dirt bag (14) for dry vacuuming (see point 5.2).

Always ensure that the filters are perfectly secure.

6.3 Wet vacuuming

For wet-vacuuming, use the foam filter (15) (see point 5.2).

Check that the filter is securely fitted at all times.



Important!

When wet vacuuming, the floating safety switch (5) closes when the maximum tank level is reached. In doing so, the suction noise of the equipment will change and become louder. You must then switch off the equipment and empty the tank.



Important!

The wet and dry vacuum cleaner is not suitable for the vacuuming of combustible liquids. For wet vacuuming, use only the supplied foam filter.

6.5 Blowing

Connect the suction hose (10) to the blow connector (9) on the wet and dry vacuum cleaner.

6.6 Cable storage (Fig. 10)

The power cable can be wound up onto the hook (17).

7. Cleaning, maintenance and ordering of spare parts



Important!

Always pull out the mains power plug before starting any cleaning work.

7.1 Cleaning

- Keep all safety devices, air vents and the motor housing free of dirt and dust as far as possible.
- We recommend that you clean the appliance immediately after you use it.

7.2 Cleaning the appliance head (3)

Clean the appliance regularly with a damp cloth and some soft soap. Do not use cleaning agents or solvents; these may be aggressive to the plastic parts in the appliance.

7.3 Cleaning the container (7)

The container can be cleaned with a damp cloth and some soft soap or under running water, depending on the amount of dirt.

7.4 Cleaning the foam filter (15)

Clean the foam filter (15) with a little soft soap under running water and allow it to air-dry.

7.5 Maintenance

At regular intervals and before each use, check that the filters in the wet and dry vacuum cleaner are securely fitted.

7.7 Ordering replacement parts

Please quote the following data when ordering replacement parts:

- Type of machine
- Replacement part number of the part required

8. Disposal and recycling



This marking indicates that this product should not be disposed with other household wastes throughout the EU. To prevent possible harm to the environment or human health from uncontrolled waste disposal, recycle it responsibly to promote the sustainable reuse of material resources. To return your used device, please use the return and collection systems or contact the retailer where the product was purchased. They can take this product for environmental safe recycling.



EC Declaration of conformity

FEIDER FRANCE

32, rue Aristide Bergès - ZI 31270 Cugnaux – France declare that the machine

Designation: Wet and Dry Vacuum Cleaner

Model: FHAEP121520L

Serial number:

Is in conformity with the European Directives:

LVD Directive 2014/35/EU

EMC Directive 2014/30/EU

ROHS Directive: 2011/65/EU

This product is also in conformity with the following standards:

EN 60335-2-2:2010+A11:2012+A1:2013

EN 60335-1:2012+AC:2014+A11:2014

EN 62233:2008

EN 55014-1:2006+A1:2009+A2:2011

EN 55014-2:1997+A1:2001+A2:2008

EN61000-3-2:2014

EN 61000-3-3:2013

Responsable du dossier technique : Olivier Patriarca

Philippe MARIE / PDG

A handwritten signature in black ink, appearing to be "Philippe Marie".

Cugnaux, le 01/07/2019